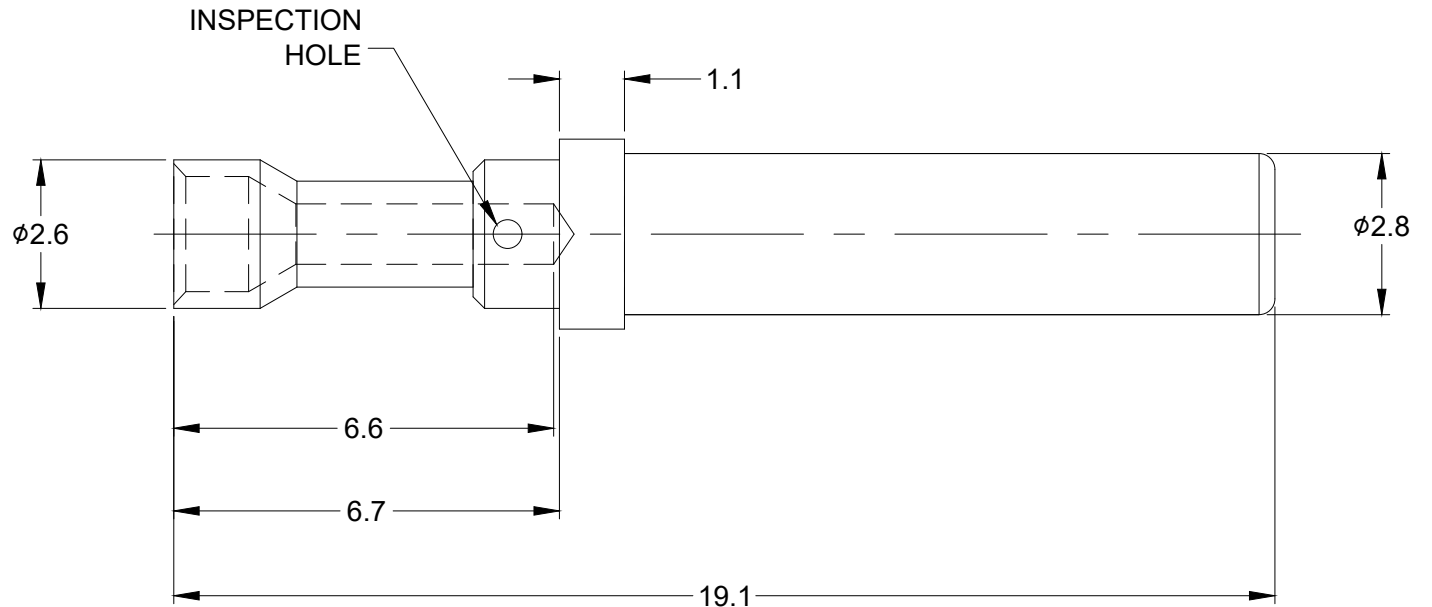
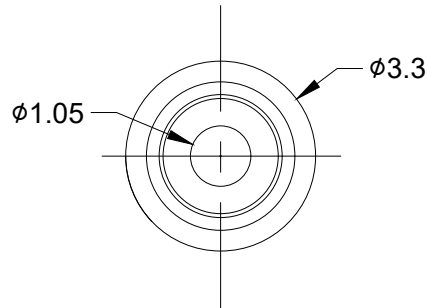


REVISIONS					
REV	ECO	DESCRIPTION	DATE	BY	APPR
A1	-	RELEASE NEW DWG FORMAT	18AUG17	RIMON	TOMMY
A2	-	REVISE CURRENT	20MAR19	ORION	TOMMY
A3	-	ADD GOLD VERSION	15AUG19	ORION	TOMMY



NOTES: UNLESS OTHERWISE SPECIFIED

- MATERIAL: COPPER ALLOY
- PLATING: SEE PART NUMBER CHART
- CONTACT SIZE: 16
- SPECIFICATIONS:
 - CURRENT RATING: 13 AMPS
 - CONTACT MILLIVOLT DROP: 60 MILLIVOLT DROP @ 5 AMP TEST CURRENT.
 - RoHS COMPLIANT
- RECOMMENDED WIRE RANGE: 22 - 24 AWG
- ALL DIMENSIONS ARE FOR REFERENCE USE ONLY

PART NUMBER CHART	
PLATING	PART NUMBER
GOLD	AT62-201-1631-22
NICKEL	AT62-201-16141-22

SEE PART NUMBER CHART		DESCRIPTION		ITEM
QUANTITY	PART NUMBER	MATERIALS LIST		
UNLESS OTHERWISE SPECIFIED 1) All dimensions are in metric(mm). 2) Tolerances are as follows: 1 PL DEC ±0.30 Fractions ±1/64 2 PL DEC ±0.15 Angles ±1° 3 PL DEC ±0.08		SIGNATURES		DATE
3) Note reference =		DRAWN: ORION LI	15AUG19	
MATERIAL SPECIFICATIONS:		CHECKED: ORION LI	15AUG19	
PROCESS SPECIFICATIONS:		ENGINEER:	APPROVAL: TOMMY XIE 15AUG19	
NEXT ASSY:		CUSTOMER:		
		THIS DRAWING IS SUPPLIED FOR INFORMATION ONLY. DESIGN FEATURES, SPECIFICATIONS AND PERFORMANCE DATA SHOWN HEREON ARE THE PROPERTY OF THE AMPHENOL CORPORATION. NO RIGHTS OF REPRODUCTION ARE IMPLIED. ALL DIMENSIONS ARE SUBJECT TO NORMAL MANUFACTURING VARIATIONS.		
		<p style="text-align: center;">Amphenol</p> <p style="text-align: center;">Sine Systems - www.amphenol-sine.com 44724 Morley Drive Clinton Township, MI 48036</p> <p style="text-align: center;">CONTACT, SOCKET, SOLID, SIZE 16, 22-24 AWG</p>		
SIZE	TYPE	DWG NO.	REVISION	
B	C-	AT62-201-16XX-22	A3	
SCALE: NONE		SHEET 1 OF 1		

TITLE: CONTACT SOCKET, SOLID, SIZE 16, 22-24 AWG
DWG NO.: AT62-201-16XX-22
REV: A3
SH: 1
OF: 1